



Electromechanical components

STAINLESS STEEL ENCLOSURES

GL66 SERIES



[REDEFINING STANDARD]

[GL66 SERIES STAINLESS STEEL]**HINGED COVER WALL-MOUNT ENCLOSURES**

Manufactured in Type 304 and 316L stainless steel, these enclosures are ideal for indoor or outdoor applications which require corrosion protection from chemicals and water.

The enclosures contain an external body flange to prevent contaminants from entering the enclosure; a strong door with removable hinges; a conductive panel ordered separately and quarter-turn latch with 3 mm double-bit insert for a secure closure.

INDUSTRY STANDARDS

Mounting brackets required to meet UL/CSA external mounting requirements.

UL 508A Listed; Type 4, 4X, 12; File No. E61997
cUL Listed per CSA C22.2 No 94; Type 4, 4X, 12;
File No. E61997

NEMA/EEMAC Type 4, 4X, 12, 13
CSA File No. 42186: Type 4, 4X, 12
IEC/EN 60529, IP66
IEC/EN 62262, IK10
IEC/EN 62208

**APPLICATION**

- Food and beverage production
- Offshore and all saline environments
- Waste and water treatment
- Packaging
- Pharmaceutical processing
- Outdoor environments and corrosive applications

SCOPE OF DELIVERY

- Enclosure with hinged door
- Gland plate, supplied loose (for items with gland plate)
- Assembly kit
- Installation instruction
- Mounting plate is not included and should be ordered separately

FEATURES

- Versions with or without gland plate
- Minimum-width body flange provides maximum body opening
- External formed 90 degree body flange
- Door opens 210 degrees
- Mounting holes in back of body for direct mounting or for optional external mounting brackets
- Doors are easily removed by pulling clip-style hinge pins
- Quarter-turn latches furnished with 3 mm double-bit insert
- Self-grounding latch system with double seal
- Left hinged doors, reversible

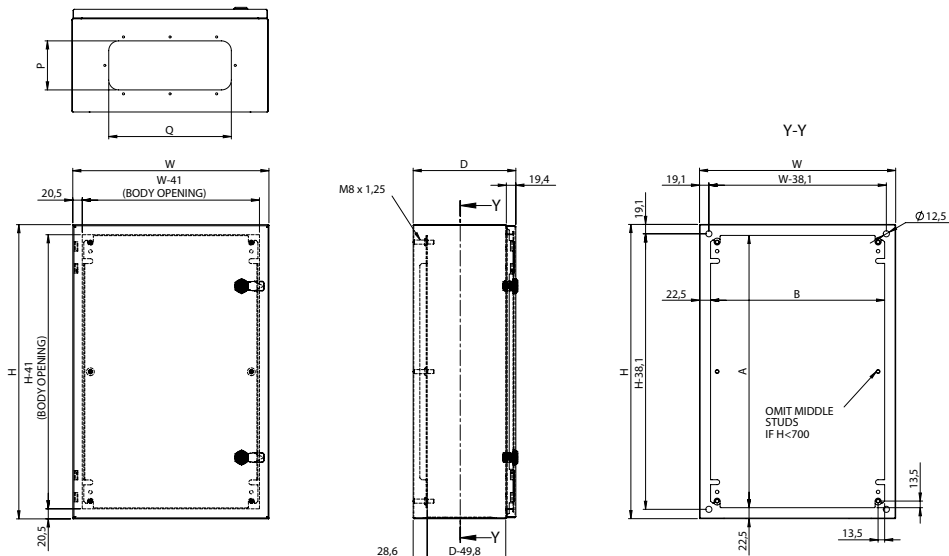
SPECIFICATIONS

- Stainless steel wall-mount GL66, IP66, UL/NEMA Type 4X enclosure
- Stainless steel type 304 or type 316L in standard
- Material thickness: 1,2, 1,5 and 2,0 mm doors; 1,2 and 1,5 mm body
- Type 316 stainless steel hinge pins
- Seamless foam-in-place gasket
- Grounding stud on the body
- Bonding provision on the door
- Brushed finish 320 grain

For specific accessories, please go to the end of each subsection.
For other general accessories, please refer to the chapter "Accessories".

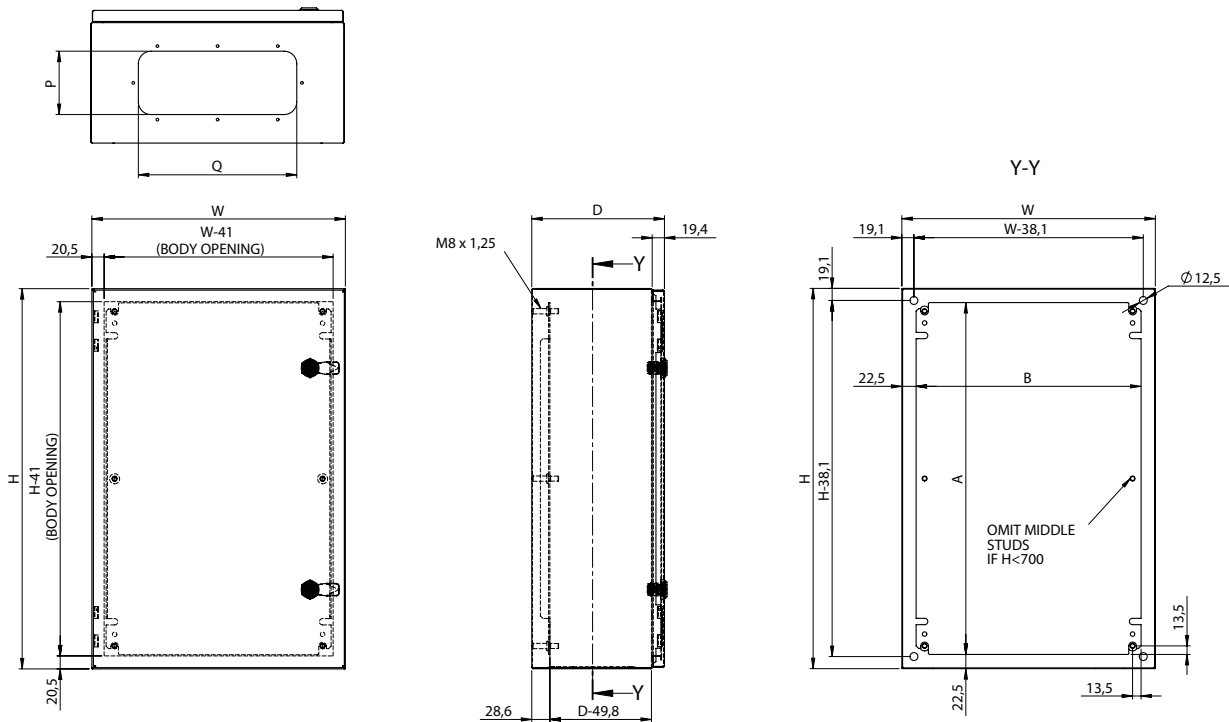
STANDARD PRODUCT, STAINLESS STEEL 304

Item number	Description	H [mm]	W [mm]	D [mm]	Door thickness [mm]	Body thickness [mm]	Material	Gland Plate	Q [mm]	P [mm]	Type	Conductive Mounting Plate
M300200120SSE	Wallmount StSt 304 IP66 door	300	200	120	1.2	1.2	304	NO	-	-		M300P200GE
M300200150SSE	Wallmount StSt 304 IP66 door	300	200	150	1.2	1.2	304	NO	-	-		M300P200GE
M300250150SSE	Wallmount StSt 304 IP66 door	300	250	150	1.2	1.2	304	NO	-	-		M300P250GE
M300250210SSE	Wallmount StSt 304 IP66 door	300	250	210	1.2	1.2	304	NO	-	-		M300P250GE
M300300120SSE	Wallmount StSt 304 IP66 door	300	300	120	1.2	1.2	304	NO	-	-		M300P300GE
M300300210SSE	Wallmount StSt 304 IP66 door	300	300	210	1.2	1.2	304	NO	-	-		M300P300GE
M300300210GSSE	Wallmount StSt 304 IP66 door with gland plate	300	300	210	1.2	1.2	304	YES	180	100	A	M300P300GE
M300400120SSE	Wallmount StSt304 IP66 door	300	400	120	1.2	1.2	304	NO	-	-		M400P300GE
M300400210GSSE	Wallmount StSt304 IP66 door with gland plate	300	400	210	1.2	1.2	304	YES	280	100	B	M400P300GE
M350300210SSE	Wallmount StSt304 IP66 door	350	300	210	1.2	1.2	304	NO	-	-		M350P300GE
M400300150SSE	Wallmount StSt304 IP66 door	400	300	150	1.2	1.2	304	NO	-	-		M400P300GE
M400300210GSSE	Wallmount StSt304 IP66 door with gland plate	400	300	210	1.2	1.2	304	YES	180	100	A	M400P300GE
M400400210SSE	Wallmount StSt304 IP66 door	400	400	210	1.2	1.2	304	NO	-	-		M400P400GE
M400400210GSSE	Wallmount StSt304 IP66 door with gland plate	400	400	210	1.2	1.2	304	YES	280	100	B	M400P400GE
M400600210SSE	Wallmount StSt304 IP66 door	400	600	210	1.2	1.2	304	NO	-	-		M600P400GE
M500400210SSE	Wallmount StSt304 IP66 door	500	400	210	1.2	1.2	304	NO	-	-		M500P400GE
M500400210GSSE	Wallmount StSt304 IP66 door with gland plate	500	400	210	1.2	1.2	304	YES	280	100	B	M500P400GE
M500500210GSSE	Wallmount StSt304 IP66 door with gland plate	500	500	210	1.2	1.2	304	YES	380	100	C	M500P500GE
M500500300GSSE	Wallmount StSt304 IP66 door with gland plate	500	500	300	1.2	1.2	304	YES	380	180	E	M500P500GE
M600400210SSE	Wallmount StSt304 IP66 door	600	400	210	1.2	1.2	304	NO	-	-		M600P400GE
M600400210GSSE	Wallmount StSt304 IP66 door with gland plate	600	400	210	1.2	1.2	304	YES	280	100	B	M600P400GE
M600400350GSSE	Wallmount StSt304 IP66 door with gland plate	600	400	350	1.2	1.2	304	YES	280	180	D	M600P400GE
M600600210SSE	Wallmount StSt304 IP66 door	600	600	210	1.5	1.5	304	NO	-	-		M600P600GE
M600600210GSSE	Wallmount StSt304 IP66 door with gland plate	600	600	210	1.5	1.5	304	YES	380	100	C	M600P600GE
M600600300SSE	Wallmount StSt304 IP66 door	600	600	300	1.5	1.5	304	NO	-	-		M600P600GE
M600600300GSSE	Wallmount StSt304 IP66 door with gland plate	600	600	300	1.5	1.5	304	YES	380	180	E	M600P600GE
M600600350GSSE	Wallmount StSt304 IP66 door with gland plate	600	600	350	1.5	1.5	304	YES	380	180	E	M600P600GE
M700500250GSSE	Wallmount StSt304 IP66 door with gland plate	700	500	250	1.5	1.5	304	YES	380	100	C	M700P500GE
M800600210SSE	Wallmount StSt304 IP66 door	800	600	210	2.0	1.5	304	NO	-	-		M800P600GE
M800600210GSSE	Wallmount StSt304 IP66 door with gland plate	800	600	210	2.0	1.5	304	YES	380	100	C	M800P600GE
M800600250GSSE	Wallmount StSt304 IP66 door with gland plate	800	600	250	2.0	1.5	304	YES	380	100	C	M800P600GE
M800600300SSE	Wallmount StSt304 IP66 door	800	600	300	2.0	1.5	304	NO	-	-		M800P600GE
M800600300GSSE	Wallmount StSt304 IP66 door with gland plate	800	600	300	2.0	1.5	304	YES	380	180	E	M800P600GE
M800600350GSSE	Wallmount StSt304 IP66 door with gland plate	800	600	350	2.0	1.5	304	YES	380	180	E	M800P600GE
M800800210GSSE	Wallmount StSt304 IP66 door with gland plate	800	800	210	2.0	1.5	304	YES	280	100	2xB	M800P800GE
M800800300GSSE	Wallmount StSt304 IP66 door with gland plate	800	800	300	2.0	1.5	304	YES	280	180	2xD	M800P800GE
M1000800300SSE	Wallmount StSt304 IP66 door	1000	800	300	2.0	1.5	304	NO	-	-		M1000P800GE
M1000800300GSSE	Wallmount StSt304 IP66 door with gland plate	1000	800	300	2.0	1.5	304	YES	280	180	2xD	M1000P800GE
M1200800300GSSE	Wallmount StSt304 IP66 door with gland plate	1200	800	300	2.0	1.5	304	YES	280	180	2xD	M1200P800GE



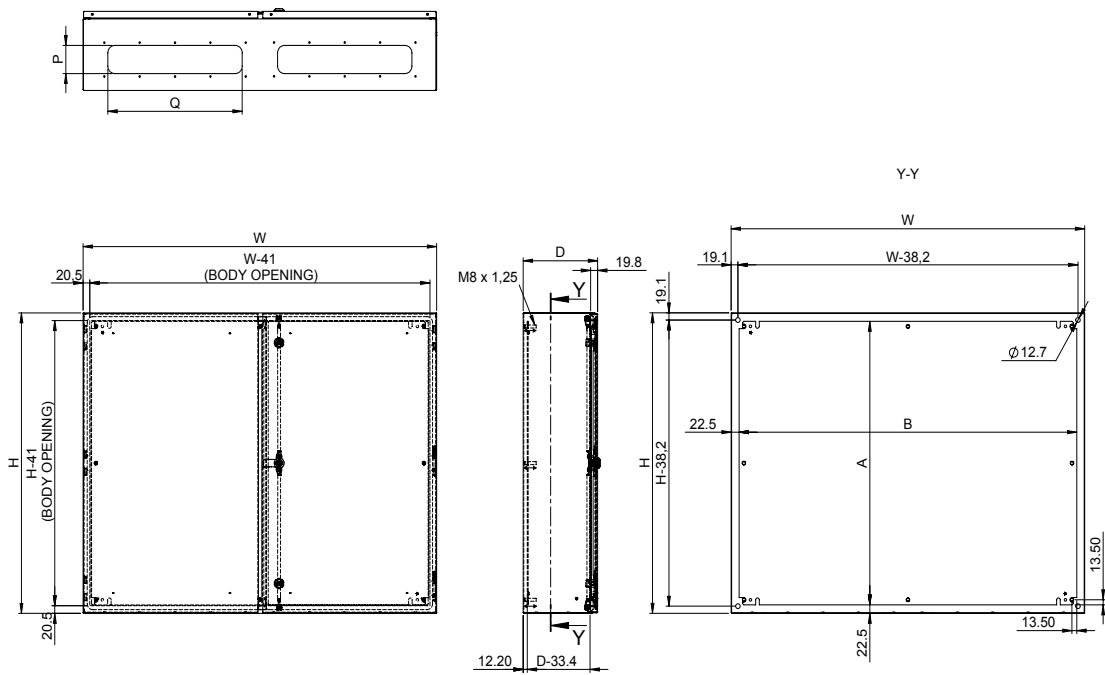
STANDARD PRODUCT, STAINLESS STEEL 316L

Item number	Description	H [mm]	W [mm]	D [mm]	Door thickness [mm]	Body thickness [mm]	Material	Gland Plate	Q [mm]	P [mm]	Type	Conductive Mounting Plate
M300200150SS6E	Wallmount StSt 316L IP66 door	300	200	150	1.2	1.2	316L	NO	-	-		M300P200GE
M400300150SS6E	Wallmount StSt 316L IP66 door	400	300	150	1.2	1.2	316L	NO	-	-		M400P300GE
M400300210GSS6E	Wallmount StSt 316L IP66 door with gland plate	400	300	210	1.2	1.2	316L	YES	180	100	A	M400P300GE
M400400210SS6E	Wallmount StSt 316L IP66 door	400	400	210	1.2	1.2	316L	NO	-	-		M400P400GE
M400400210GSS6E	Wallmount StSt 316L IP66 door with gland plate	400	400	210	1.2	1.2	316L	YES	280	100	B	M400P400GE
M400600210SS6E	Wallmount StSt 316L IP66 door	400	600	210	1.2	1.2	316L	NO	-	-		M600P400GE
M500400210SS6E	Wallmount StSt 316L IP66 door	500	400	210	1.2	1.2	316L	NO	-	-		M500P400GE
M500400210GSS6E	Wallmount StSt 316L IP66 door with gland plate	500	400	210	1.2	1.2	316L	YES	280	100	B	M500P400GE
M500500210GSS6E	Wallmount StSt 316L IP66 door with gland plate	500	500	210	1.2	1.2	316L	YES	380	100	C	M500P500GE
M600400210SS6E	Wallmount StSt 316L IP66 door	600	400	210	1.2	1.2	316L	NO	-	-		M600P400GE
M600400210GSS6E	Wallmount StSt 316L IP66 door with gland plate	600	400	210	1.2	1.2	316L	YES	280	100	B	M600P400GE
M600600210SS6E	Wallmount StSt 316L IP66 door	600	600	210	1.5	1.5	316L	NO	-	-		M600P600GE
M600600210GSS6E	Wallmount StSt 316L IP66 door with gland plate	600	600	210	1.5	1.5	316L	YES	380	100	C	M600P600GE
M600600300SS6E	Wallmount StSt 316L IP66 door	600	600	300	1.5	1.5	316L	NO	-	-		M600P600GE
M600600300GSS6E	Wallmount StSt 316L IP66 door with gland plate	600	600	300	1.5	1.5	316L	YES	380	180	E	M600P600GE
M800600210SS6E	Wallmount StSt 316L IP66 door	800	600	210	1.5	2.0	316L	NO	-	-		M800P600GE
M800600210GSS6E	Wallmount StSt 316L IP66 door with gland plate	800	600	210	1.5	2.0	316L	YES	380	100	C	M800P600GE
M800600300SS6E	Wallmount StSt 316L IP66 door	800	600	300	1.5	2.0	316L	NO	-	-		M800P600GE
M800600300GSS6E	Wallmount StSt 316L IP66 door with gland plate	800	600	300	1.5	2.0	316L	YES	380	180	E	M800P600GE
M800800300GSS6E	Wallmount StSt 316L IP66 door with gland plate	800	800	300	1.5	2.0	316L	YES	280	180	2xD	M800P800GE
M1000800300SS6E	Wallmount StSt 316L IP66 door	1000	800	300	1.5	2.0	316L	NO	-	-		M1000P800GE
M1000800300GSS6E	Wallmount StSt 316L IP66 door with GP	1000	800	300	1.5	2.0	316L	YES	280	180	2xD	M1000P800GE
M1200800300GSS6E	Wallmount StSt 316L IP66 door with GP	1200	800	300	1.5	2.0	316L	YES	280	180	2xD	M1200P800GE

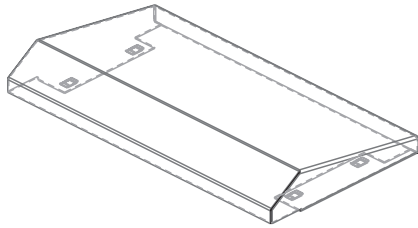


STANDARD PRODUCT, OVERLAPPING DOORS, STAINLESS STEEL 304, IP55, NEMA TYPE 12

Item number	Description	H [mm]	W [mm]	D [mm]	Door Thickness [mm]	Body Thickness [mm]	Gland Plate		Conductive Mounting Plate Item number
							P [mm]	Q [mm]	
M8001000210GSSE	GL66 StSt304 HC 800 H 1000 W 210 D	800	1000	210	2.0	1.5	2xC	100 380	M1000P800GE
M8001000300GSSE	GL66 StSt304 HC 800 H 1000 W 300 D	800	1000	300	2.0	1.5	2xC	100 380	M1000P800GE
M10001000300GSSE	GL66 StSt304 HC 1000 H 1000 W 300 D	1000	1000	300	2.0	2.0	2xC	100 380	M1000P1000GE
M10001200300GSSE	GL66 StSt304 HC 1000 H 1200 W 300 D	1000	1200	300	2.0	2.0	2xC	100 380	M1000P1200GE
M12001000300GSSE	GL66 StSt304 HC 1200 H 1000 W 300 D	1200	1000	300	2.0	2.0	2xC	100 380	M1200P1000GE
M12001000400GSSE	GL66 StSt304 HC 1200 H 1000 W 400 D	1200	1000	400	2.0	2.0	2xC	100 380	M1200P1000GE
M12001200400GSSE	GL66 StSt304 HC 1200 H 1200 W 400 D	1200	1200	400	2.0	2.0	2xC	100 380	M1200P1200GE
M14001000300GSSE	GL66 StSt304 HC 1400 H 1000 W 300 D	1400	1000	300	2.0	2.0	2xC	100 380	M1400P1000GE
M14001000400GSSE	GL66 StSt304 HC 1400 H 1000 W 400 D	1400	1000	400	2.0	2.0	2xC	100 380	M1400P1000GE
M14001200400GSSE	GL66 StSt304 HC 1400 H 1200 W 400 D	1400	1200	400	2.0	2.0	2xC	100 380	M1400P1200GE



[TOP SUN SHIELD]



Top sun shield can be mounted at the top of the body after drilling holes in enclosure. Mounting hardware included.

Fits to enclosure size W x D [mm]	Stainless steel 304 Item number	Stainless steel 316L Item number
150x120	M150120TSS	M150120TSS6
200x120	M200120TSS	M200120TSS6
200x150	M200150TSS	M200150TSS6
250x150	M250150TSS	M250150TSS6
250x210	M250210TSS	M250210TSS6
300x120	M300120TSS	M300120TSS6
300x150	M300150TSS	M300150TSS6
300x210	M300210TSS	M300210TSS6
400x120	M400120TSS	M400120TSS6
400x210	M400210TSS	M400210TSS6
400x350	M400350TSS	M400350TSS6
500x210	M500210TSS	M500210TSS6
500x250	M500250TSS	M500250TSS6
500x300	M500300TSS	M500300TSS6
600x210	M600210TSS	M600210TSS6
600x250	M600250TSS	M600250TSS6
600x300	M600300TSS	M600300TSS6
600x350	M600350TSS	M600350TSS6
800x210	M800210TSS	M800210TSS6

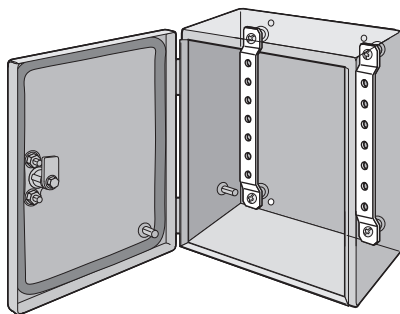
[MOUNTING PLATE]



Please purchase panels separately. Mounting panels are conductive 2,0 mm steel. Mounted on M8x1,25 collar studs. Mounting hardware delivered with GL66 enclosure hardware kit.

Item number	Description	A [mm]	B [mm]
M300P150GE	for GL66 HC size 300x150mm	255	105
M300P200GE	for GL66 HC size 300x200mm	255	155
M300P250GE	for GL66 HC size 300x250mm	255	205
M300P300GE	for GL66 HC size 300x300mm	255	255
M350P300GE	for GL66 HC size 350x300mm	305	255
M400P300GE	for GL66 HC size 400x300mm	355	255
M400P400GE	for GL66 HC size 400x400mm	355	355
M500P400GE	for GL66 HC size 500x400mm	455	355
M500P500GE	for GL66 HC size 500x500mm	455	455
M600P400GE	for GL66 HC size 600x400mm	555	355
M600P600GE	for GL66 HC size 600x600mm	555	555
M700P500GE	for GL66 HC size 700x500mm	655	455
M800P600GE	for GL66 HC size 800x600mm	755	555
M800P800GE	for GL66 HC size 800x800mm	755	755
M1000P800GE	for GL66 HC size 1000x800mm	955	755
M1000P1000GE	for GL66 HC size 1000x1000mm	955	955
M1200P800GE	for GL66 HC size 1200x800mm	1155	755
M1200P1000GE	for GL66 HC size 1200x1000mm	1155	955
M1400P800GE	for GL66 HC size 1200x800mm	1355	755
M1400P1200GE	for GL66 HC size 1400x1200mm	1355	1155

[DIN RAIL MOUNTING KIT]



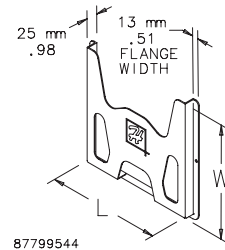
Item number	Description	H or W of enclosure [mm]
MMK15E	DIN moun.brackets for GL66 hinged cover	150
MMK20E	DIN moun.brackets for GL66 hinged cover	200
MMK25E	DIN moun.brackets for GL66 hinged cover	250
MMK30E	DIN moun.brackets for GL66 hinged cover	300
MMK35E	DIN moun.brackets for GL66 hinged cover	350
MMK40E	DIN moun.brackets for GL66 hinged cover	400
MMK50E	DIN moun.brackets for GL66 hinged cover	500
MMK60E	DIN moun.brackets for GL66 hinged cover	600
MMK70E	DIN moun.brackets for GL66 hinged cover	700
MMK80E	DIN moun.brackets for GL66 hinged cover	800
MMK100E	DIN moun.brackets for GL66 hinged cover	1000
MMK120E	DIN moun.brackets for GL66 hinged cover	1200

[DATA POCKET]



Data Pockets provide convenient storage for wiring diagrams, operation manuals and other documentation inside an enclosure. Constructed of high-impact thermoplastic, pockets are dark gray and have cutout areas for easy access and visibility to contents. Delivered with self-adhesive tape for mounting option without welded studs.

Item number	Description
ADP1	Small pocket 152 x 152 mm
ADP2	Large pocket 305 x 305 mm



[DOOR STOP KIT]



Enclosures must have a “W” dimension of 400 mm or more. Door Stop Kit can be mounted at the top or bottom of the door opening after drilling two small holes in the body of the enclosure and two small holes in the door. The angle of the door is easily adjusted by means of a wingnut, and the stop arm slides neatly out of the way when the door is closed.

Item number	Description
ADSTOPK	Steel door stop kit
ADSTOPKSS6	StSt316 door stop kit

[WALL-MOUNTING BRACKETS]



Mounting-Bracket Kits are field-installable. Stainless steel brackets are rated to Type 4X. Set of four brackets can support 220 kg maximum load. All hardware is included. Four brackets per kit.

Item number	Description
CMFK	Galvanized w.m. brackets for GL66 HC
CMFKSS	StSt304 w.m. brackets for GL66 HC

[LOCK INSERTS]



Lock inserts are field-installable. Stainless steel material and different key locking systems provide maximum protection for your equipment.

Item number	Description
MKSM7SS	StSt304 square 7 mm
MKSM7SS6	StSt316 square 7 mm
MKT8SS	StSt304 triangle 8 mm
MKT8SS6	StSt316 triangle 8 mm
MKDB5SS	StSt304 double bit 5 mm
MKDB5SS6	StSt316 double bit 5 mm

[GROUNDING KIT]

Grounding Kit provides means to attach a grounding conductor to the enclosure. Kit includes two insulated copper wires with a ring terminal at each end, all installation hardware and instructions.

Item number	Description
12516000	Grounding kit Packs of 5 pc. Cu wires, green/yellow.

[GL66 SERIES STAINLESS STEEL]**SCREW COVER WALL-MOUNT ENCLOSURES****INDUSTRY STANDARDS**

Mounting brackets required to meet UL/CSA external mounting requirements.

UL 508A Listed; Type 4, 4X, 12; File No. E61997
cUL Listed per CSA C22.2 No 94; Type 4, 4X, 12;
File No. E61997

NEMA/EEMAC Type 4, 4X, 12
CSA File No. 42186: Type 4, 4X, 12
IEC/EN 60529, IP66
IEC/EN 62262, IK10
IEC/EN 62208

**APPLICATION**

- Food and beverage production
- Offshore and all saline environments
- Waste and water treatment
- Packaging
- Pharmaceutical processing
- Outdoor environments and corrosive applications

SCOPE OF DELIVERY

- Enclosure
- Cover
- Assembly kit
- Installation instruction
- Mounting panels or DIN rail must be ordered separately

FEATURES

- Captivated Type 316 stainless steel cover screws with sealing bushings made of a durable composite material
- Integral compression stops maintain optimal gasket compression

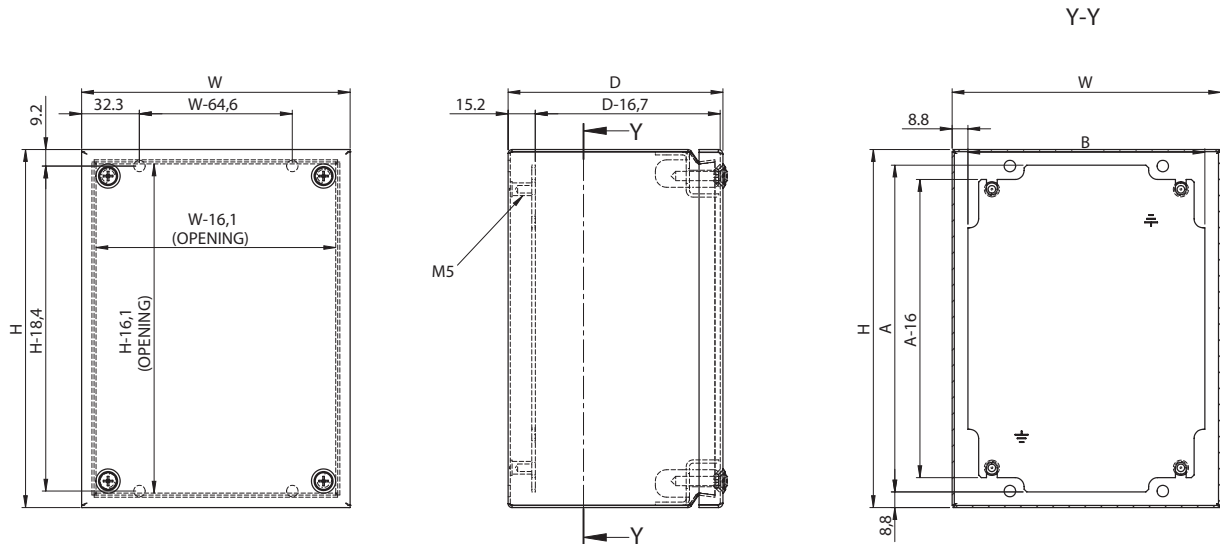
SPECIFICATIONS

- Stainless steel wall-mount GL66, IP66, UL/NEMA Type 4X enclosure
- Stainless steel type 304 or type 316L in standard
- Material thickness: 1,2 mm covers and 1,0 mm bodies
- Seams continuously welded and ground smooth
- External formed body flange trough
- Fastening holes in back of body for direct mounting or optional external mounting brackets
- Seamless foam-in-place gasket
- M6 bonding provision on cover, M6 ground stud in body
- Cover and body have 320 grain brushed finish

For specific accessories, please go to the end of each subsection.
For other general accessories, please refer to the chapter "Accessories".

STANDARD PRODUCT

Item number	Description	H [mm]	W [mm]	D [mm]	Material	Conductive Mounting Plate
MSC15015080SSE	Wallmount StSt 304 IP66 Screw cover	150	150	80	304	MSC150P150GE
MSC150150120SSE	Wallmount StSt 304 IP66 Screw cover	150	150	120	304	MSC150P150GE
MSC15030080SSE	Wallmount StSt 304 IP66 Screw cover	150	300	80	304	MSC300P150GE
MSC200150120SSE	Wallmount StSt 304 IP66 Screw cover	200	150	120	304	MSC200P150GE
MSC20020080SSE	Wallmount StSt 304 IP66 Screw cover	200	200	80	304	MSC200P200GE
MSC200200120SSE	Wallmount StSt 304 IP66 Screw cover	200	200	120	304	MSC200P200GE
MSC20030080SSE	Wallmount StSt 304 IP66 Screw cover	200	300	80	304	MSC300P200GE
MSC200300120SSE	Wallmount StSt 304 IP66 Screw cover	200	300	120	304	MSC300P200GE
MSC20040080SSE	Wallmount StSt 304 IP66 Screw cover	200	400	80	304	MSC400P200GE
MSC200400120SSE	Wallmount StSt 304 IP66 Screw cover	200	400	120	304	MSC400P200GE
MSC250200150SSE	Wallmount StSt 304 IP66 Screw cover	250	200	150	304	MSC250P200GE
MSC300300120SSE	Wallmount StSt 304 IP66 Screw cover	300	300	120	304	MSC300P300GE
MSC300400120SSE	Wallmount StSt 304 IP66 Screw cover	300	400	120	304	MSC400P300GE
MSC150150120SS6E	Wallmount StSt 316L IP66 Screw cover	150	150	120	316L	MSC150P150GE
MSC200150120SS6E	Wallmount StSt 316L IP66 Screw cover	200	150	120	316L	MSC200P150GE
MSC200300120SS6E	Wallmount StSt 316L IP66 Screw cover	200	300	120	316L	MSC300P200GE
MSC250200150SS6E	Wallmount StSt 316L IP66 Screw cover	250	200	150	316L	MSC250P200GE
MSC300300120SS6E	Wallmount StSt 316L IP66 Screw cover	300	300	120	316L	MSC300P300GE



NOTES

- Panel screws are M5-0,8 pan head
- Panels are 2,0 mm conductive steel
- Rear mounting holes will accommodate M6-1,0 mounting screws

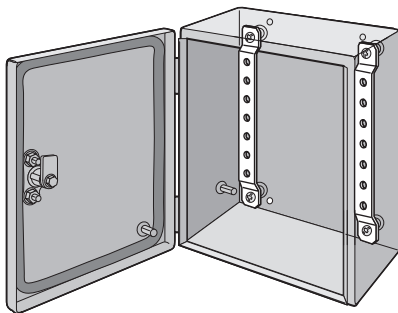
[MOUNTING PLATE]



Mounting plate is not included and should be ordered separately

Item number	Description	A [mm]	B [mm]
MSC150P150GE	MPL for GL66 SC size 150x150 mm	132,5	132,5
MSC200P150GE	MPL for GL66 SC size 200x150 mm	182,5	132,5
MSC200P200GE	MPL for GL66 SC size 200x200 mm	182,5	182,5
MSC250P200GE	MPL for GL66 SC size 250x200 mm	232,5	182,5
MSC300P150GE	MPL for GL66 SC size 300x150 mm	282,5	132,5
MSC300P200GE	MPL for GL66 SC size 300x200 mm	282,5	182,5
MSC300P300GE	MPL for GL66 SC size 300x300 mm	282,5	282,5
MSC400P200GE	MPL for GL66 SC size 400x200 mm	382,5	182,5
MSC400P300GE	MPL for GL66 SC size 400x300 mm	382,5	282,5

[DIN RAIL MOUNTING KIT]



Use as a mounting framework to install DIN rails or a panel. Bracket is offset for additional space in front of or behind mounted equipment. Mounting hardware included.

Item number	Description	H or W of enclosure [mm]
LMK15E	DIN moun.brackets for GL66 SC	150
LMK20E	DIN moun.brackets for GL66 SC	200
LMK25E	DIN moun.brackets for GL66 SC	250
LMK30E	DIN moun.brackets for GL66 SC	300
LMK40E	DIN moun.brackets for GL66 SC	400

[WALL-MOUNTING BRACKETS]



Kit is field-installable. Hardware included. Four brackets per kit

Item number	Description
LMFKSS	SS304 w.m. brackets for GL66 SC

NOTES:

[A30S4E FREE-STAND SINGLE AND DUAL ACCESS ENCLOSURE]



Free-stand enclosure has been specially designed for heavy duty applications – housing systems with large components or complex mounting configurations – in harsh environments. Three-point latching and sealing provide industry-leading protection from dust, dirt, oil and water.

The enclosure is for housing motor starters, drives, contactors and PLCs, as well as a wide variety of other electrical and electronic equipment. The design with double access is ideally suited for the mounting of physically large, heavy duty devices where tight sealing (IP) and rigidity (IK) are important.

INDUSTRY STANDARDS

IEC EN 60529, IP66
IEC EN 50102, IK10
IEC EN 62208;
UL 508A Listed;
Type 4, 4X, 12 File No. E61997
NEMA Type 4, 4X, 12



APPLICATION

- Oil and gas
- Pulp and paper
- Chemical
- Food and beverage
- Pharmaceutical
- Textile and similar industries

SCOPE OF DELIVERY

- Enclosure
- Plinth base kit, supplied loose
- Assembly kit
- Installation instruction

FEATURES

- Two-door enclosures are provided with a removable centerpost for easy mounting plate installation
- Seamless foam-in-place polyurethane gasket assures a water-tight and dust-tight seal
- High-impact thermoplastic data pocket provided with each enclosure
- Base plinth 100 mm included, with front and rear removable cover for easy cable entry

SPECIFICATIONS

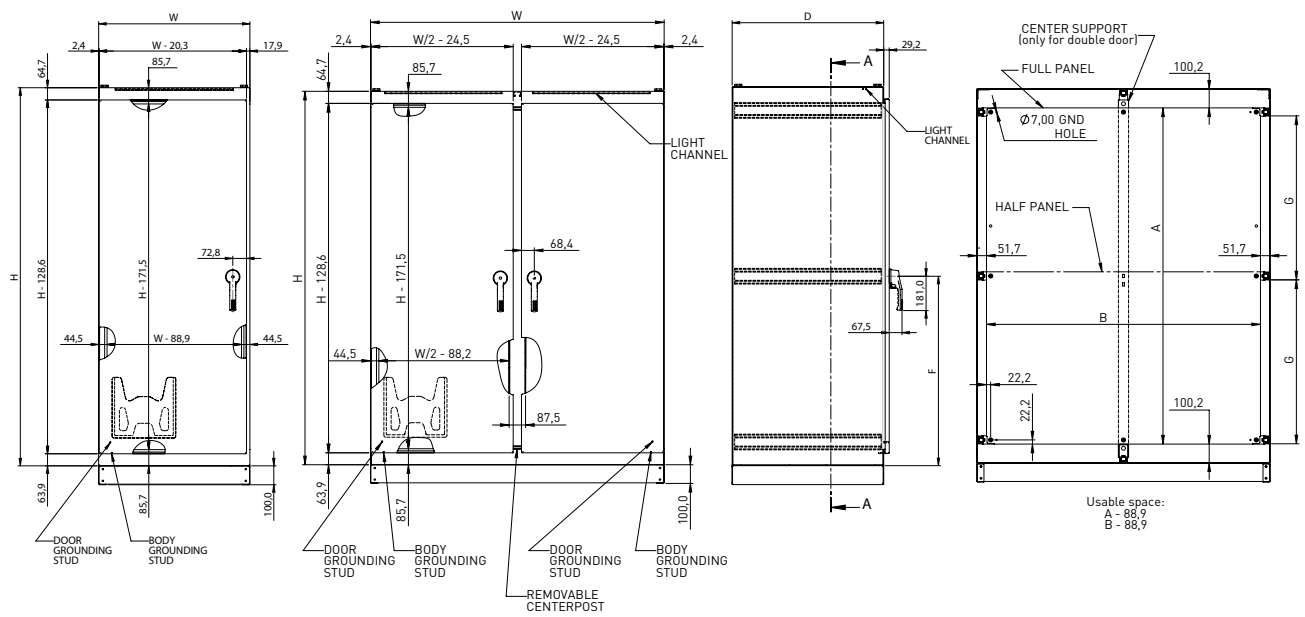
- Thickness 2,5 mm, stainless steel type AISI 304 (EN 1.4301) or 316L (1.4404)
- External surface body and door brushed finish grain 240, Ra≤0,8 µm, smooth internal surface (2B)
- Heavy-duty three-point latching mechanism operated by Type 316L stainless steel POWERGLIDE® padlocking handle
- Seams continuously welded and ground smooth
- Body grounding, studs door and body
- Bottom gland plates, 3,0 mm removable from inside, with grounding stud
- Door opening angle 100°

For specific accessories, please go to the end of each subsection.
For other general accessories, please refer to the chapter “Accessories”.

STANDARD PRODUCT; SINGLE ACCESS

Item number	Description	Material	H [mm]	SIZE					Mounting Plate
				W [mm]	D [mm]	F [mm]	G [mm]		
A2066SSFS	A2066SSFS IP66 StSt304 with plinth	304	2000	600	600	999.6	875.1	A20P6F1GE	
A2086SSFS	A2086SSFS IP66 StSt304 with plinth	304	2000	800	600	999.6	875.1	A20P8F1GE	
A20106SSFS	A20106SSFS IP66 StSt304 with plinth	304	2000	1000	600	999.6	875.1	A20P10F1GE	
A20126SSFSD	A20126SSFSD IP66 StSt304 with plinth	304	2000	1200	600	999.6	875.1	A20P12F1GE	
A2068SSFS	A2068SSFS IP66 StSt304 with plinth	304	2000	600	800	999.6	875.1	A20P6F1GE	
A2088SSFS	A2088SSFS IP66 StSt304 with plinth	304	2000	800	800	999.6	875.1	A20P8F1GE	
A20128SSFSD	A20128SSFSD IP66 StSt304 with plinth	304	2000	1200	800	999.6	875.1	A20P12F1GE	
A20168SSFSD	A20168SSFSD IP66 StSt304 with plinth	304	2000	1560	800	999.6	875.1	A20P16F1GE	
A1864SSFS	A1864SSFS IP66 StSt304 with plinth	304	1800	600	400	896.6	775.1	A18P6F1GE	
A1884SSFS	A1884SSFS IP66 StSt304 with plinth	304	1800	800	400	896.6	775.1	A18P8F1GE	
A18104SSFS	A18104SSFS IP66 StSt304 with plinth	304	1800	1000	400	896.6	775.1	A18P10F1GE	
A18124SSFSD	A18124SSFSD IP66 StSt304 with plinth	304	1800	1200	400	896.6	775.1	A18P12F1GE	
A1866SSFS	A1866SSFS IP66 StSt304 with plinth	304	1800	600	600	896.6	775.1	A18P6F1GE	
A1886SSFS	A1886SSFS IP66 StSt304 with plinth	304	1800	800	600	896.6	775.1	A18P8F1GE	
A18106SSFS	A18106SSFS IP66 StSt304 with plinth	304	1800	1000	600	896.6	775.1	A18P10F1GE	
A18126SSFSD	A18126SSFSD IP66 StSt304 with plinth	304	1800	1200	600	896.6	775.1	A18P12F1GE	
A2088SS6FS	A2088SS6FS IP66 StSt316L with plinth	316L	2000	800	800	999.6	875.1	A20P8F1GE	

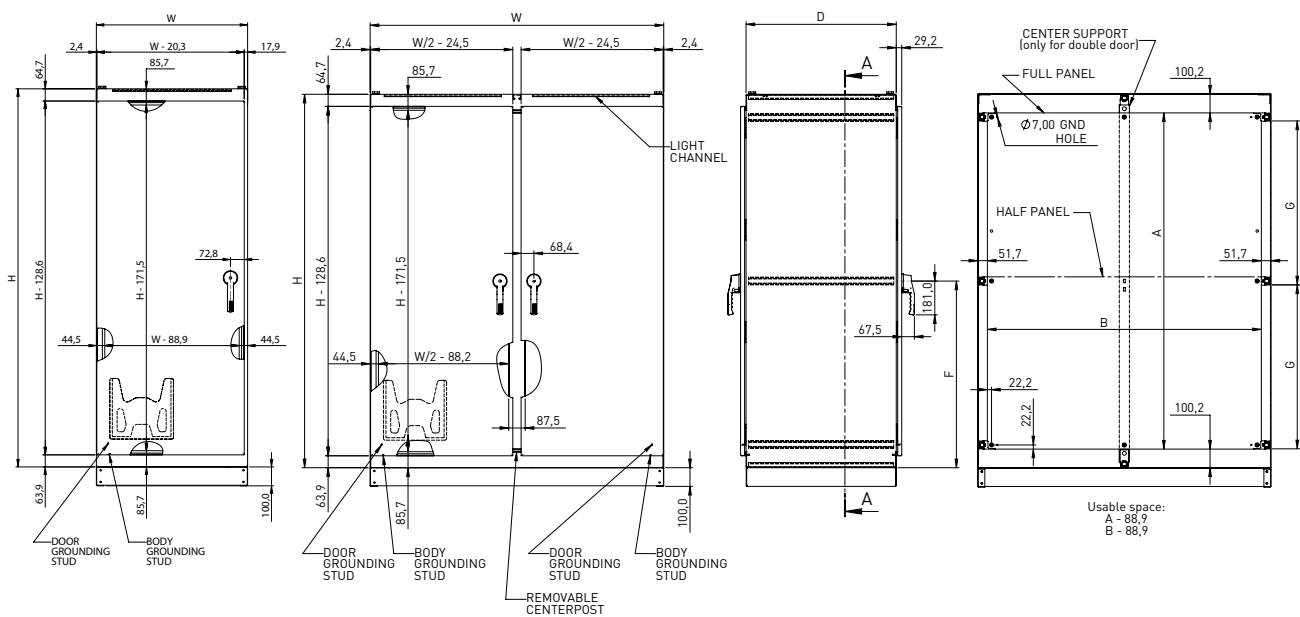
*D – double door with centerpost



STANDARD PRODUCT; DUAL ACCESS

Item number	Description	Material	H [mm]	W [mm]	SIZE			Mounting Plate
					D [mm]	F [mm]	G [mm]	
A2088SSFSDA	A2088SSFSDA IP66 StSt304 with plinth	304	2000	800	800	999.6	875.1	A20P8F1GE
A20108SSFSDA	A20108SSFSDA IP66 StSt304 with plinth	304	2000	1000	800	999.6	875.1	A20P10F1GE
A20128SSFSDAD	A20128SSFSDAD IP66 StSt304 with plinth	304	2000	1200	800	999.6	875.1	A20P12F1GE
A20168SSFSDAD	A20168SSFSDAD IP66 StSt304 with plinth	304	2000	1560	800	999.6	875.1	A20P16F1GE
A2088SS6FSDA	A2088SS6FSDA IP66 StSt316L with plinth	316L	2000	800	800	999.6	875.1	A20P8F1GE
A20108SS6FSDA	A20108SS6FSDA IP66 StSt316L with plinth	316L	2000	1000	800	999.6	875.1	A20P10F1GE
A20128SS6FSDAD	A20128SS6FSDAD IP66 StSt316L with plinth	316L	2000	1200	800	999.6	875.1	A20P12F1GE
A20168SS6FSDAD	A20168SS6FSDAD IP66 StSt316L with plinth	316L	2000	1560	800	999.6	875.1	A20P16F1GE

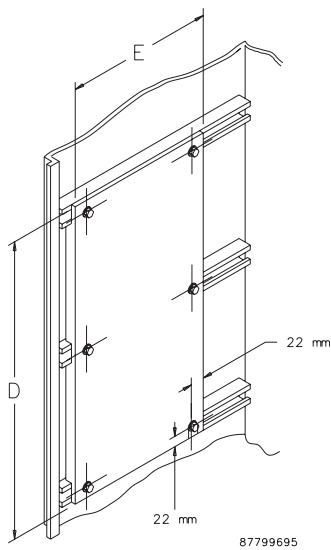
*D – double door with centerpost



[MOUNTING PLATES]

Item number	Description	For cabinet sizes H x W[mm]	A [mm]	B [mm]
A20P6F1GE	A20P6F1GE Full mounting plate	2000x600	1794,6	496,7
A20P8F1GE	A20P8F1GE Full mounting plate	2000x800	1794,6	696,7
A20P10F1GE	A20P10F1GE Full mounting plate	2000x1000	1794,6	896,7
A20P12F1GE	A20P12F1GE Full mounting plate	2000x1200	1794,6	1096,7
A20P16F1GE	A20P16F1GE Full mounting plate	2000x1560	1794,6	1462,5
A18P6F1GE	A18P6F1GE Full mounting plate	1800x600	1594,6	496,7
A18P8F1GE	A18P8F1GE Full mounting plate	1800x800	1594,6	696,7
A18P10F1GE	A18P10F1GE Full mounting plate	1800x1000	1594,6	896,7
A18P12F1GE	A18P12F1GE Full mounting plate	1800x1200	1594,6	1096,7

[SIDE MOUNTING PLATES]



Mounting Plates provide extra mounting space on the sides of enclosures. 2,5 mm plates are steel with a conductive, corrosion-resistant coating. Mounting Plates attach securely to mounting channels. Plated steel mounting hardware is furnished.

Item number	Description	D [mm]	E [mm]
A20SMP3GE	A30S4E side mounting plate 2000x300	1943,8	300
A20SMP4GE	A30S4E side mounting plate 2000x400	1943,8	400
A20SMP5GE	A30S4E side mounting plate 2000x500	1943,8	500
A20SMP6GE	A30S4E side mounting plate 2000x600	1943,8	600
A18SMP3GE	A30S4E side mounting plate 1800x300	1743,8	300
A18SMP4GE	A30S4E side mounting plate 1800x400	1743,8	400
A18SMP5GE	A30S4E side mounting plate 1800x500	1743,8	500
A18SMP6GE	A30S4E side mounting plate 1800x600	1743,8	600

[LIFTING EYES]



Lifting Eyes are used for lifting free-stand unibody enclosure. Lifting Eyes thread into welded nuts in enclosure's body and are designed for overhead lifting in conjunction with shackles and a spreader bar. Use of shackles instead of hooks is preferred. The angle between the top of the enclosure and the cable or chain must be at least 45°. Use only slings and spreader bars that are designed for the specific application and are in compliance with regulations established by OSHA, ASME, ISA, ASTM and other governing agencies.

Item number	Description
PLEM20SS	(4) Lifting Eyes – Stainless steel 304
PLEM20SS6	(4) Lifting Eyes – Stainless steel 316L

[LARGE ENCLOSURE DOOR STOP KIT]



Designed for use with most standard, large mild and stainless steel enclosures to secure the door in the 90 degree open position. Door Stop Kit can be mounted at the top or bottom of the door opening after drilling two small holes in the door and enclosure. All parts are plated. Maintains UL/CSA Type 4 and Type 12 if properly installed in a Hoffman enclosure.

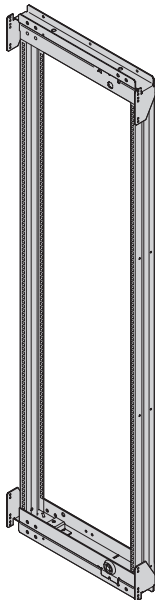
Item number	Description
ALGDSTOP2E	Large Enclosure Door Stop Kit

[SOLAR SHIELDS]



Item number	Description	Material
A6040SSTSE	Solar shield for enclosure W 600 x D 400mm	Stainless steel 304
A6040SS6TSE	Solar shield for enclosure W 600 x D 400mm	Stainless steel 316L
A8040SSTSE	Solar shield for enclosure W 800 x D 400mm	Stainless steel 304
A8040SS6TSE	Solar shield for enclosure W 800 x D 400mm	Stainless steel 316L
A10040SSTSE	Solar shield for enclosure W 1000 x D 400mm	Stainless steel 304
A10040SS6TSE	Solar shield for enclosure W 1000 x D 400mm	Stainless steel 316L
A6060SSTSE	Solar shield for enclosure W 600 x D 600mm	Stainless steel 304
A6060SS6TSE	Solar shield for enclosure W 600 x D 600mm	Stainless steel 316L
A8060SSTSE	Solar shield for enclosure W 800 x D 600mm	Stainless steel 304
A8060SS6TSE	Solar shield for enclosure W 800 x D 600mm	Stainless steel 316L
A10060SSTSE	Solar shield for enclosure W 1000 x D 600mm	Stainless steel 304
A10060SS6TSE	Solar shield for enclosure W 1000 x D 600mm	Stainless steel 316L
A8080SSTSE	Solar shield for enclosure W 800 x D 800mm	Stainless steel 304
A8080SS6TSE	Solar shield for enclosure W 800 x D 800mm	Stainless steel 316L
A10080SSTSE	Solar shield for enclosure W 1000 x D 800mm	Stainless steel 304
A10080SS6TSE	Solar shield for enclosure W 1000 x D 800mm	Stainless steel 316L

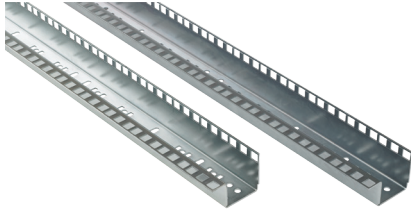
[SWING-OUT RACK MOUNTING FRAMES]



Full-length 3,0 mm thickness swing-out rack mounting frames are available for mounting 19-in. (483 mm) rack mounting equipment. The frame pivots within the enclosure to allow access to the back of the mounted equipment. The frames can be installed in 2000 mm and 1800 mm high enclosures that are 800 mm wide. Complies with ANSI/EIA RS-310-D rack-mounting standards. The design features smooth operation and secure positioning anywhere along the horizontal mounting channels. Frame swings from the left side. All frames are textured RAL7035 and furnished with plated mounting hardware.

Item number	Fits to enclosure size H x W [mm]	Number of Units
A188SOF19E	1800 x 800	33
A208SOF19E	2000 x 800	37

[19-IN. RACK ANGLES]



Square-Hole Rack Angles are 2,0 mm plated steel designed to accept metric or English cage nuts. 19-in. Rack Angles are fixed directly into a 600 mm wide enclosure's channels. To mount 19-in. Rack Angles in 800 mm wide enclosure, use frame reducing brackets. To mount 19-in. Rack Angles in 1200 mm wide enclosure, use center supports.

Item number	Fits to enclosure size H x W [mm]	Hole	Number of Units
A18RA19THE	1800 x 600	Square	36
A20RA19THE	2000 x 600	Square	40

[CENTER SUPPORTS]

Center supports permit the installation of 19-in. rack angles in double door enclosures with width 1200 mm. The Center Supports can be positioned from front to back of the enclosure.

Item number	Fits to enclosure size H x W [mm]
22510288	1800 x 1200
22510106	2000 x 1200

[WIDTH REDUCING BRACKETS]

Width Reducing Brackets mount directly to 800 mm wide enclosure. Converts 800 mm wide enclosure to 600 mm wide, allowing 19-in. rack angles to fit. Furnished in sets of pair 2,5 mm thick plated steel. Mounting hardware is included.

Item number	Converts enclosure width [mm]
22510287	From 800 to 600

